

CATV POWER PROTECTOR

Model SC-APC-SPD140K-IPM

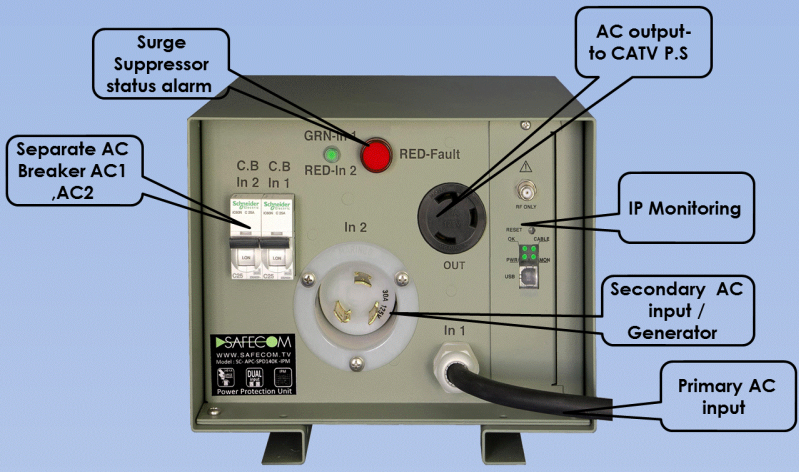
The latest Power Protection unit for CATV Networks enabling phase changer (APC) option for all type of Power Supplies & UPS + built in 140KA Surge suppressor for protecting P.S & active devices at the CATV network against electric surge from the electric utility system.

This novel technology enables to monitor both the surge suppressor & phase changer by IP Monitoring.

Second AC input port can be used for connecting the generator without the need to disconnect any power cable.

When using the generator, the IP monitor is able to notify the technician when the utility power returns for pickup at the generator outage site.

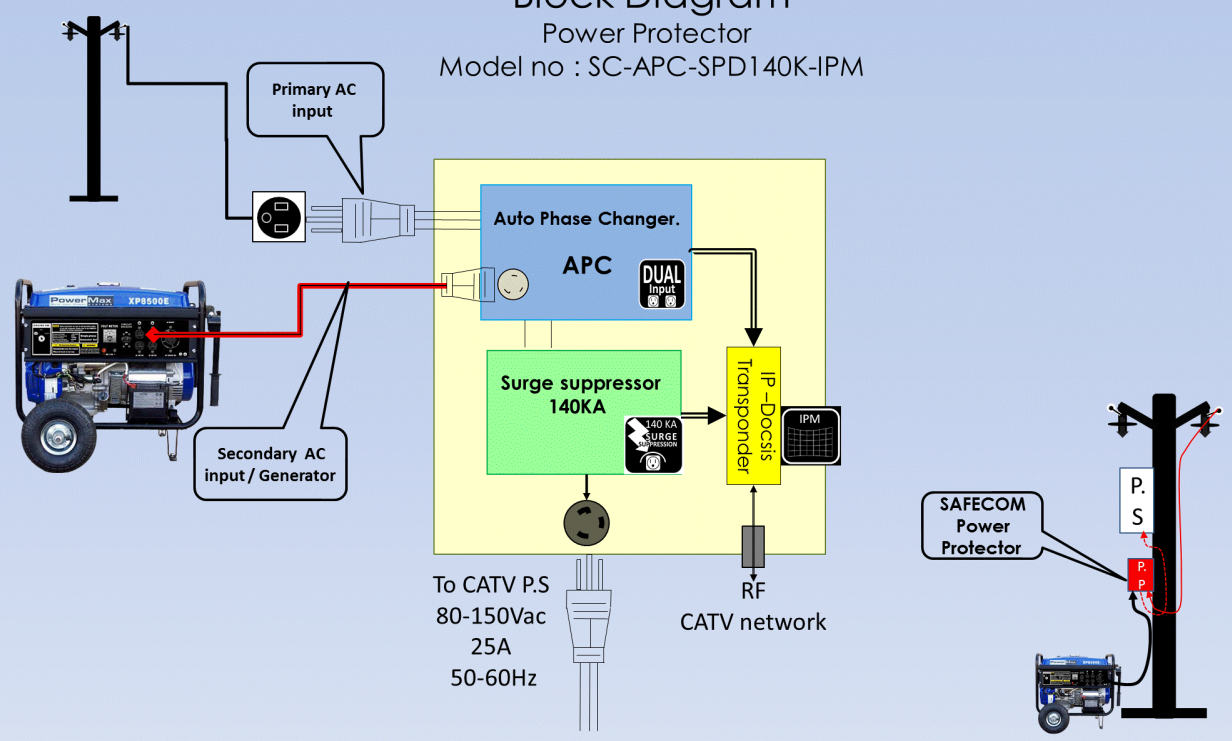
Housing is designed for outdoor hanging or shelf-lain mounting inside closed Cabinets.



Outdoor Pole mount or indoor shelf-lain

Block Diagram

Power Protector
Model no : SC-APC-SPD140K-IPM



Power Protector Model SC-SPC-SPD140K-IPM Specification

Model	SC-APC-SPD140K-IPM				
APC- Automatic Phase Changer					
Primary Input					
Voltage range (Vac)	80V ÷ 150V				
Frequency (Hz)	50/60 Hz				
Current limit (A)	Circuit breaker 25A				
Connection via	2 meters, single phase cable				
Secondary Input					
Voltage range (Vac)	80V ÷ 150V				
Frequency (Hz)	50/60 Hz				
Current limit (A)	Circuit breaker 25A				
Connection via	Nema L5-30 Male Twist lock 30A-125V Inlet				
Output					
Voltage range (Vac)	80V ÷ 150V				
Frequency (Hz)	50/60 Hz				
Connection via	Nema L5-30 Female Twist lock 30A-125V Inlet				
Indicator					
B-Color LED	GRN- Input 1, RED - Input 2				
Safety time delayed transfer time true table:					
Option	Input 1	Input 2	Output Fed by:	LED color	Safety time delay (ms)
1	On	Off	Primary Input	Green	500
2	On	On	Primary Input	Green	0
3	Off	On	Secondary Input	Red	700
4	On	On	Primary Input	Green	300
SPD- Surge Protection Device					
Voltage range (Vac)	80V ÷ 150V				
Frequency (Hz)	50/60 Hz				
Max. Continuous Voltage (Vac)	175V				
Common Mode, Peak Surge Current 8/20µs	140KA				
Differential Mode Peak Surge Current 8/20µs	70KA (Phase – ground) + 70KA (Zero - ground)				
Indicator					
Visual Status indicator of less than 50% protection	RED LED				
DOCSIS® & EuroDOCSIS Status Monitoring, Embedded Transponder					
Input 1 Voltage monitoring	"On(1)"–Active, "Off(2)" – Line fail				
Input 2 Voltage monitoring	"On(1)"–Active, "Off(2)" – Line fail				
SPD Status monitoring	"OK(1)" Common 70-140KA Protection, Fail < Common 70KA Protection				
Output Current monitoring – <u>optional</u>	0-25A current meter.				
Mechanical					
Dimensions (L, W, H) mm	239 X 233 X 188				
Weight (Kg/lbs)	7/15.4				
Housing Finish	Epoxy coating				
Environment Outdoor & Indoor .					
Operating Temperature	-20°C ÷ +60°C				
Storage Temperature	-20°C ÷ +70°C				
Humidity	0 ÷ 100% non-condensing				